

Service Bulletin: MART Power Washer

Volume 1 Issue 3

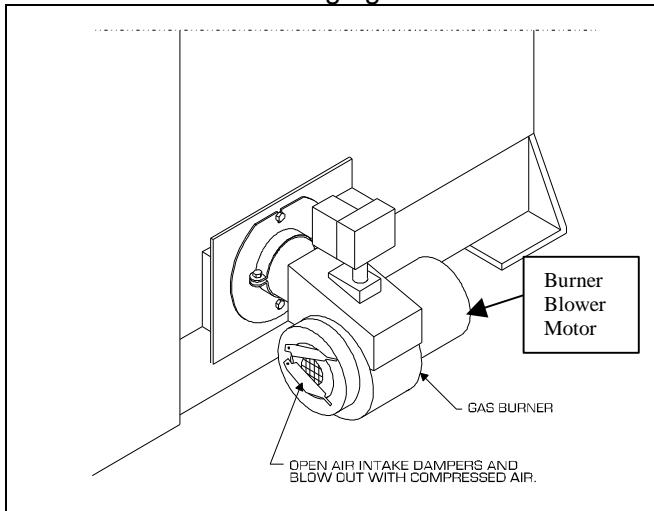
System Maintenance: Points To Remember

By: Jesse Adams

Technical Service Manager
The MART Corporation

In general, your MART Power Washer is not maintenance-intensive. A few key items, however, need regular, scheduled care. Good maintenance is essential for optimal cleaning results, as well as reliable operation of the MART Washer.

Heating System: If a gas or LP Forced Air Burner heats your MART Power Washer, the following maintenance is recommended. In order to remove dust and dirt, clean the Air Intake on the Burner Blower Motor with a compressed-air blower or soft brush. Be sure to note the settings of your burner so that you can re-adjust after cleaning. Oil the Burner Motor with a standard electric-motor oil suitable for small electric motors; e.g., 10W-50 SAE oil. See the following figure.

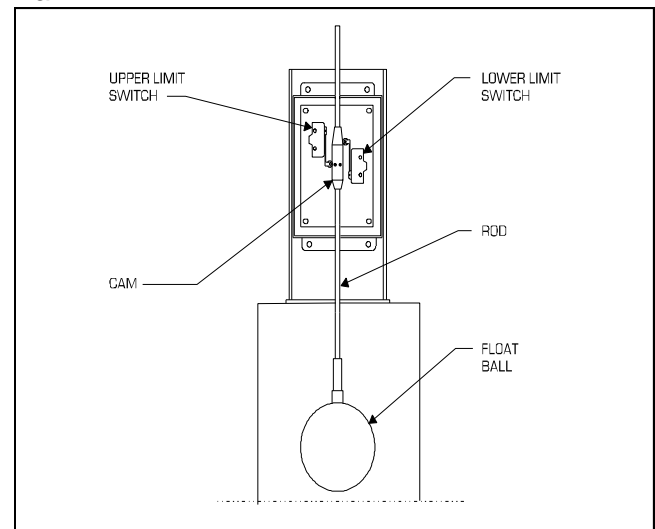


Because burner service is harder to obtain during the winter, now is a good time to perform preventive maintenance. MART keeps many of the replacement parts for the Beckett, Adams, and Gordon Piatt burners in stock. Please call MART Technical Service for assistance.

Turntable and Drive Assembly: It is recommended that you grease the upper and lower Turntable Bearings every 8 hours. Please note that if you have a MART CYCLONE 30 or a MART TORNADO 40 built after July 1996 you

have a Turntable Hub that should be greased every six months. Grease upper and lower Turntable Bearings with **Lubriplate 1444**. The Turntable Drive Bearings should be greased every month with **Mobilith AW2**. Door bearings should be greased with **Mobilith AW2** every 6 months.

Float Assembly: Inspect the Float System periodically. The Single-Ball Float System normally requires little or no cleaning. However, under severe operating conditions, you may need to periodically clean the operating Rod and Float Ball.



The MART Power Washer Manual has recently been revised and is a very useful tool for trouble shooting and maintaining a service schedule. If you would like to buy a new MART Power Washer Manual please call MART Technical Services. Mention our service bulletin and receive a five-dollar discount off the price of the Manual.

If you would like a copy of a previous service bulletins or would like to have your service bulletins faxed or e-mailed to a specific person, call the MART Technical Service Department.

For MART Technical Services call:

1-800-543-MART

Monday-Friday 8:00am to 5:00pm (central)

e-mail: jessea@martwash.com

Website: <http://www.martwash.com>